

MECHANICALLY ANCHORED TERM-BAR  
OVER SURFACE-MOUNTED SANTOPRENE  
WALL FLANGES OF FACTORY-FABRICATED  
UPTURN TERMINATION

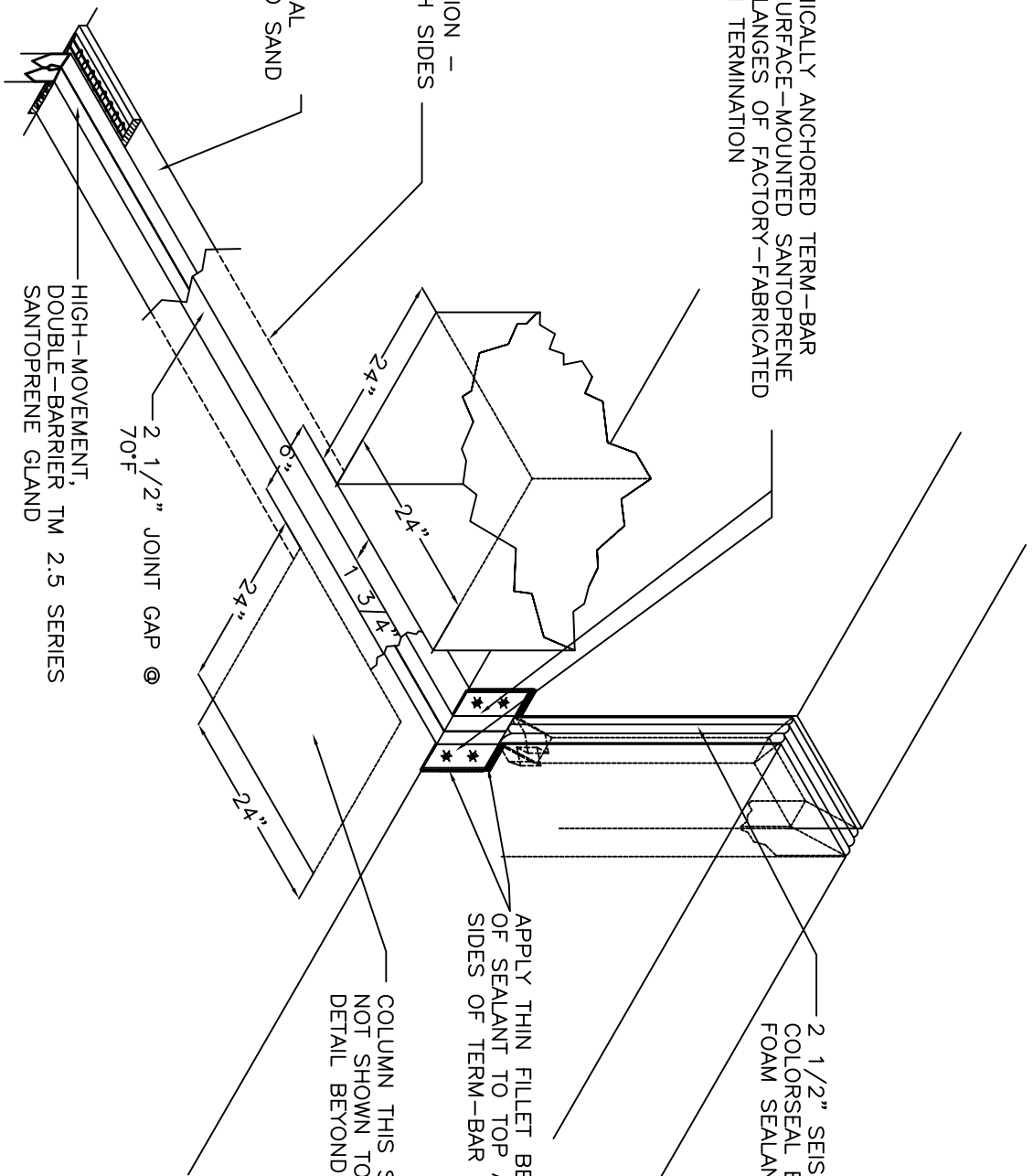
2 1/2" SEISMIC  
COLORSEAL EXPANDING  
FOAM SEALANT

APPLY THIN FILLET BEAD  
OF SEALANT TO TOP AND  
SIDES OF TERM-BAR

COLUMN THIS SIDE  
NOT SHOWN TO SHOW  
DETAIL BEYOND

STANDARD BLOCKOUT DIMENSION -  
3/4" DEEP BY 3" WIDE BOTH SIDES  
OF JOINT

TWO-PART POLYURETHANE  
ELASTOMERIC NOSING MATERIAL  
REINFORCED WITH FIBER AND SAND



# EMSEAL JOINT SYSTEMS LTD.

THERMAPLEX - SURFACE-MOUNTED WALL TO SEISMIC COLORSEAL

THIS DOCUMENT CONTAINS INFORMATION OF A CONFIDENTIAL NATURE  
UNAVAILABLE TO THE PUBLIC AND IS PROPRIETARY TO EMSEAL  
CORPORATION. ANY UNAUTHORIZED USE, WILL BE PROSECUTED.  
REPRODUCTION IN ANY FORM BEING THE EXCLUSIVE RIGHT OF EMSEAL  
CORPORATION. ANY UNAUTHORIZED REPRODUCTION WHETHER IN  
TWO OR THREE DIMENSIONS WILL BE PROSECUTED.

C:\DETAILS\THERM\TM

DRAWN	DATE:	SCALE:	SHEET
BY: RJC	9/16/99	N.T.S.	No:
PART NUMBER:	010-0-04-00		