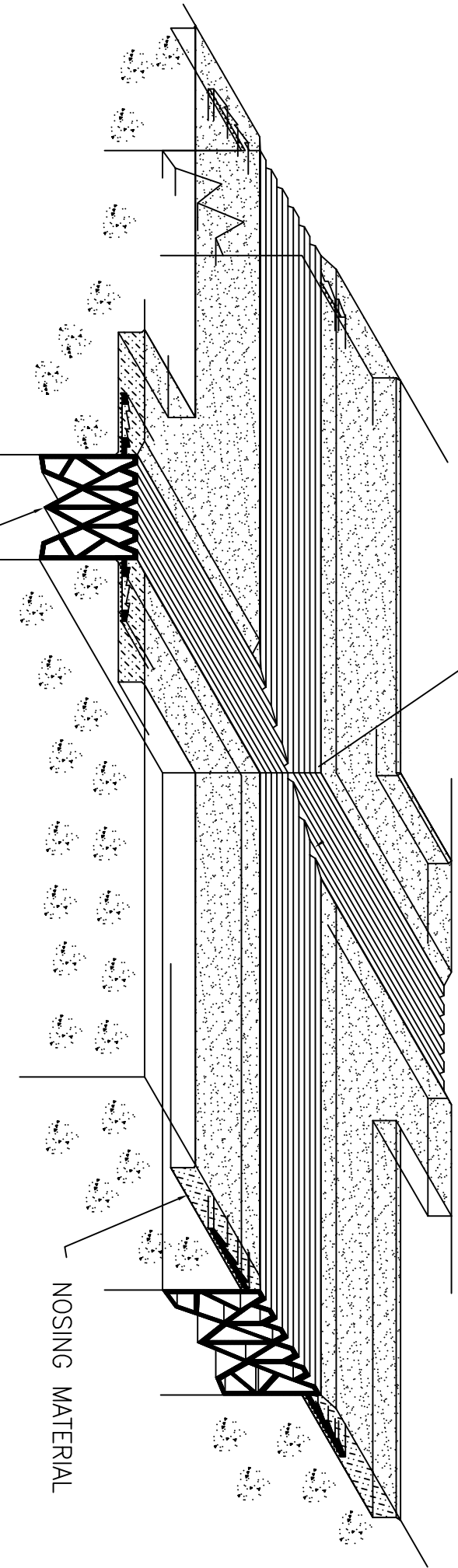


FACTORY-WELDED AND REINFORCED
CROSS TRANSITION



EMSEAL THERMAFLEX TCR-SERIES HEAT-WELDABLE SANTOPRENE GLAND

NOSING MATERIAL

EMSEAL JOINT SYSTEMS LTD.

THERMAFLEX TCR-SERIES 90 DEGREE CROSS TRANSITION

Copyright © 1994-2007, by EMSEAL
Joint Systems, Ltd. All rights reserved.

DRAWN	DATE:	SCALE:	DRAWING
BY: WAJ	4/08/02	N/S	No:
PART NUMBER:			